



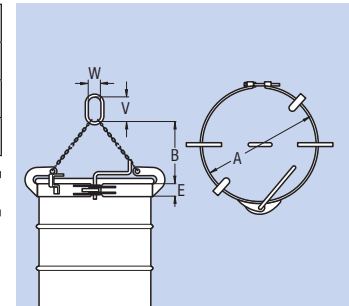
PFEIFER-RENFROE vertical barrel clamp 300 S 1

For upright, inherently stable metal drums with rim (with or without lid). The steel collar, complete with pivot lever, is fitted around the drum. The gripping diameter can be altered by an adjusting screw.

PFEIFER-RENFROE vertical barrel clamp 300 S 2

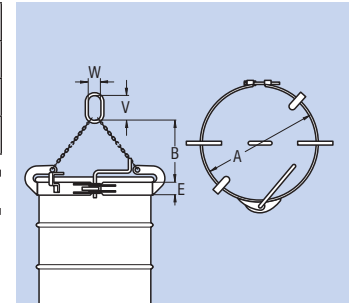
For upright, inherently stable metal drums with rim (with or without lid). The steel collar, complete with pivot lever, is fitted around the drum. The gripping diameter can be altered by an adjusting screw.

for drum	mm	Ø390-Ø415
SWL	kg	800
Weight	kg	9
Reference no.		121921



Dimensions in mm		
A Ø390-Ø415	B 490	E 50
V 100	W 90	

for drum	mm	Ø560-Ø610
SWL	kg	800
Weight	kg	9
Reference no.		121923



Dimensions in mm		
A Ø560-Ø610	B 445	E 50
V 130	W 80	