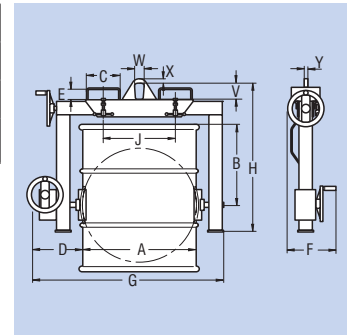




Drum turn over grab

For transporting and turning (tipping over) inherently stable metal drums with rolling hoops or rolling channels and closed lid or spout. The drums can be in an upright or horizontal position. The drums can be lifted up from all positions and turned in any position due to a self-locking worm drive.

for drum	mm	Ø400–Ø620
SWL	kg	300
Weight	kg	93
Reference no.		114204



Dimensions in mm		
A Ø400–Ø620	B 450	C 200
D 350	E 75	F 350
G 1000/1200	H 840	J 450
V 100	W 50	X 20
Y 20		