



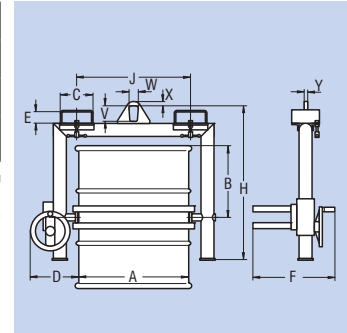
Drum tilting grab

For transporting and emptying standing, inherently stable metal drums (even without lid) with rolling hoops or rolling channels.

A lashing belt and ratchet are used to encircle the drum while protecting the surface.

Safe tipping and accurate metering by handwheel and self-locking worm drive.

for drum	mm	Ø560-Ø610
SWL	kg	300
Weight	kg	109
Reference no.		175520



Dimensions in mm		
A Ø560-Ø610	B 450	C 185
D 400	E 65	F 500
H 1100	J 620	V 100
W 50	X 20	Y 20