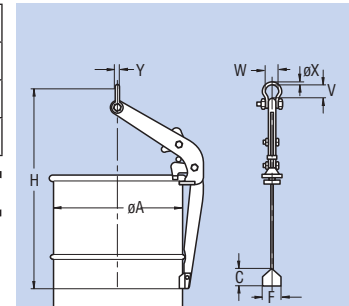




Barrel rim clamp

For erecting drums from horizontal position or transporting drums in upright position.
Suitable for densely stacked drums.
With automatic locking.

for drum	mm	Ø560–Ø610
SWL	kg	700
Weight	kg	8
Reference no.		114171



Dimensions in mm		
A Ø560–Ø610	C 100	F 100
H 690	V 45	W 45
X 15	Y 15	