



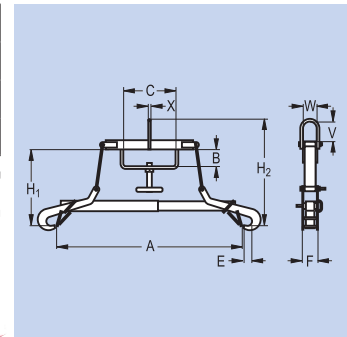
PFEIFER drum gripper

For transport of vertical inherently stable steel drums (with lid) and L-ring plastic drums

for drum	mm	Ø420-Ø640
SWL	kg	250
Weight	kg	4.4
Reference no.		173981



A competitively priced all-rounder



Dimensions in mm		
A Ø420	B 60	C 185
E 20	F 53	H1 250
H2 340	V 58	W 50
X 8		