



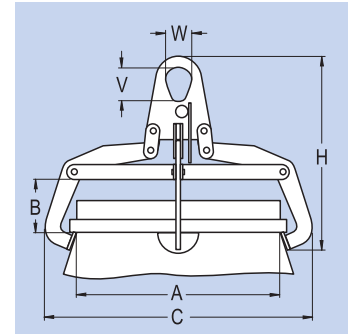
Clamp claw gripper for plastic drums

For transporting vertical standard plastic drums 120 l with high or low lids.

Simple one-hand operation by horizontal guiding tube and self-locking safety catch.

Unlocking by releasing the safety catch at the horizontal guiding tube.

for drum	mm	Ø395
SWL	kg	360
Weight	kg	7
Reference no.		179947



Dimensions in mm		
A Ø410-Ø450	B 100	C 545
H 370	V 70	W 50