



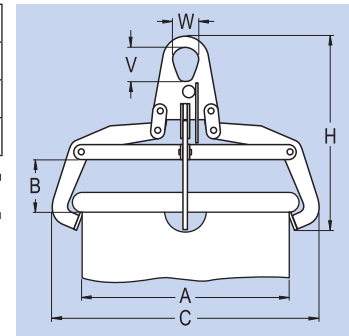
Clamp claw gripper for metal drums

For vertical standard metal drums 200l with lid.

Simple one-hand operation by horizontal guiding tube and self-locking safety catch.

Unlocking by releasing the safety catch at the horizontal guiding tube.

for drum	mm	Ø570–Ø630
SWL	kg	800
Weight	kg	14
Reference no.		212863



Dimensions in mm		
A Ø570–Ø630	B 55	C 740
H 470	V 85	W 60