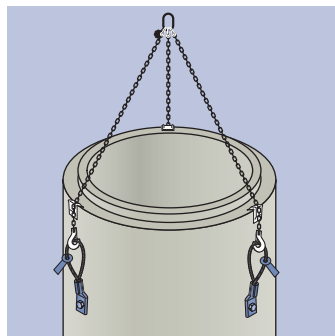


PFEIFER

New anchors!



09/2011

PFEIFER SAS manhole lifting system

**PFEIFER
SEIL- UND HEBETECHNIK
GMBH**

DR.-KARL-LENZ-STRASSE 66
87700 MEMMINGEN

TEL. Support +49(0) 83 31-937-169
Sale +49(0) 83 31-937-312

FAX +49 (0) 83 31-937-342

E-MAIL export-bt@pfeifer.de

INTERNET www.pfeifer.de

Efficient and flexible transport of manholes



Advantages in use

- Attachment bolt cannot be lost
- No foreseeable mistakes
- Optimum range of products for all practically relevant applications



Advantages in installation

- Simple fastening in the formwork
- No additional reinforcement for the anchor



Advantages in purchasing

- Small, optimised range of products
- Cost-effective system



Advantages in quality

- DIN ISO 9001 certification
- Continuous production control
- Conforms to the machine directive and the technical rules
- Complete instructions for installation and use



PFEIFER SAS manhole lifting system

Item no. 05.060

Item No. 05.061



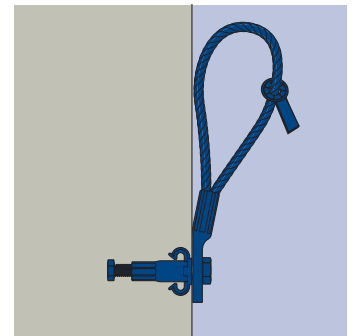
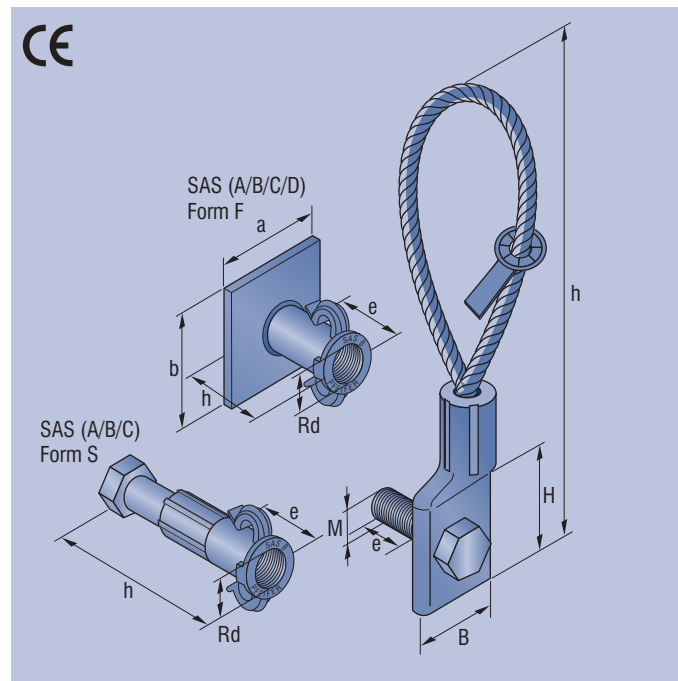
PFEIFER

Manhole lifting anchor system
SAS manhole lifting system

PFEIFER SAS manhole lifting system consisting of PFEIFER SAS lifting anchor, PFEIFER SAS lifting loop and PFEIFER SAS data clip for lifting and moving pipe and manhole items.

Materials:

Special quality high grade precision steel tube
Flexible steel cable
High-strength bolts
Flat material



PFEIFER SAS lifting loop

Reference no.	Type	Size	Thread	Dimensions in mm				Packing unit	Weight kg/ packing unit
				H	B	h	e		
05.059.142	SAS	A	M 14	40	29.5	210	23.5	50	9.0
05.059.162	SAS	B	M 16	55	37.5	280	26.5	50	20.0
05.059.242	SAS	C	M 24	65	55.2	330	39.0	25	25.0
05.059.302	SAS	D	M 30	80	65.5	390	52.0	10	18.0

PFEIFER SAS Lifting anchor

Reference no.	Type	Size	Form	Thread	Dimensions in mm				Packing unit	Weight kg/ packing unit
					h	a	b	e		
05.060.143.075	SAS	A	S	Rd 14	75	-	-	25	100	8.0
05.061.143.060	SAS	A	F	Rd 14	60	60	60	25	100	20.0
05.060.163.095	SAS	B	S	Rd 16	95	-	-	27	100	20.0
05.061.163.070	SAS	B	F	Rd 16	70	60	60	27	100	25.0
05.060.243.110	SAS	C	S	Rd 24	110	-	-	43	50	39.0
05.061.243.070	SAS	C	F	Rd 24	70	130	130	43	50	62.5
05.061.303.120	SAS	D	F	Rd 30	120	100	80	56	25	23.75

SAS data clip

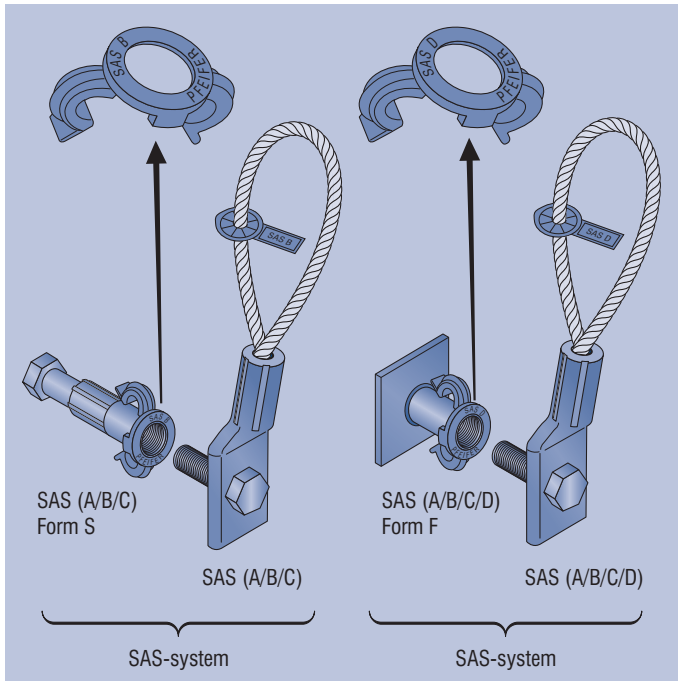
Reference no.	Type	Size	Colour
05.220.014.010	SAS	A	Light blue
05.220.016.020	SAS	B	Beige
05.220.024.040	SAS	C	Grey-white
05.220.030.052	SAS	D	Magenta

i M connection bolts and Rd lifting anchors are matched to each other.

i The PFEIFER SAS 8.8 connecting bolt is supplied pre-assembled to the PFEIFER SAS lifting loop 8.8 and is not available separately.

Instructions for the installation and use of the PFEIFER SAS manhole lifting system

System



The PFEIFER SAS manhole lifting system consists of the SAS lifting anchors, lifting loops and data clips.

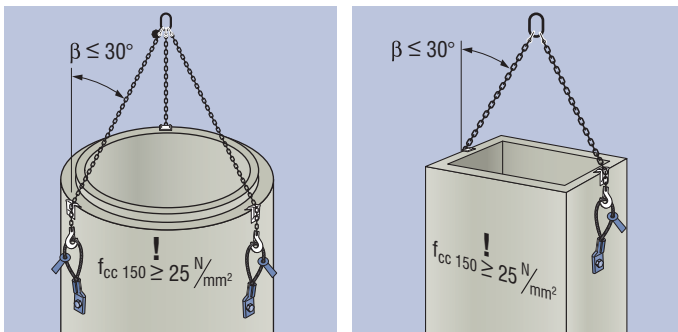
Warning: The use of accessories that are not part of this system, in particular products of other manufacturers, can result in parts falling down and causing injury or death. Use the PFEIFER SAS manhole lifting system only as a complete system!

Safety

All necessary operating coefficients have been taken into account in accordance with the machine directive (2006/42/EC).

- Safety against metallic failure: $\gamma_s = 3.1$
- Safety against wire rope failure: $\gamma_s = 4.0$
- Safety against concrete failure: $\gamma_c = 2.5$ (with coefficient 1.2 for the manufacturer's QM system in the precast plant)
with effect coefficient on the load side: $\gamma_c = 1.3$

Use



The PFEIFER SAS manhole lifting system is for attaching and lifting pipe and manhole items of standard concrete with a cube strength $f_{cc\ 150}$ of at least $25\ \text{N/mm}^2$.

Always attach the PFEIFER SAS manhole lifting system to the outside of the manhole, to avoid axial tensile force in the anchor.

Notice: Only use the system if you are trained in safe handling. If you have any doubts about the safe state of the system, the question of usability must be assessed by a suitably qualified person.

Warning: Previous use such as lashing can lead to early damage to the PFEIFER SAS manhole lifting system, resulting in a possible hazard of injury or death to persons. Use the PFEIFER SAS manhole lifting system only for transporting pipe and manhole elements!

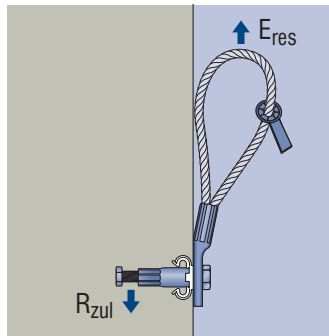
Warning: Use of the anchor by untrained personnel results in the risk of incorrect use and the risk of items falling down, causing injury or death to persons. Use only trained personnel.

Dimensioning

Table 1: Tightening torque and permissible resistance

Type	Size	Tightening torque T_{inst} Nm	Permissible resistance R_{perm} [kN] at $f_{cc,150} \geq 25 \text{ N/mm}^2$	
			Form S	Form F
SAS	A	50	10	10
SAS	B	70	20	20
SAS	C	90	40	24.5
SAS	D	120	–	52

Use an engineering calculation to determine the acting loads, e.g. as in the general technical introduction for PFEIFER lifting anchor systems.



! Notice: Take note of the “general technical introduction for PFEIFER lifting anchor systems”.

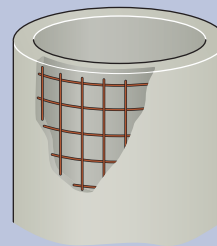
! Resulting stress \leq permitted resistance (Table 1) $E_{res} \leq R_{perm}$

The minimum reinforcement is to be arranged as area reinforcement or upper and lower hoop reinforcement in accordance with Table 2.

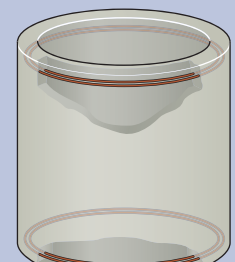
Table 2: Minimum reinforcement

Type	Size	area of reinforcement		reinforcement bars	
		Form	centered	Form	top and bottom
SAS	A	S	188 mm ² /m	F	2 \varnothing 8 mm
SAS	B	S	188 mm ² /m	F	2 \varnothing 10 mm
SAS	C	S	257 mm ² /m	F	2 \varnothing 12 mm
SAS	D	F	257 mm ² /m	–	–

Area reinforcement

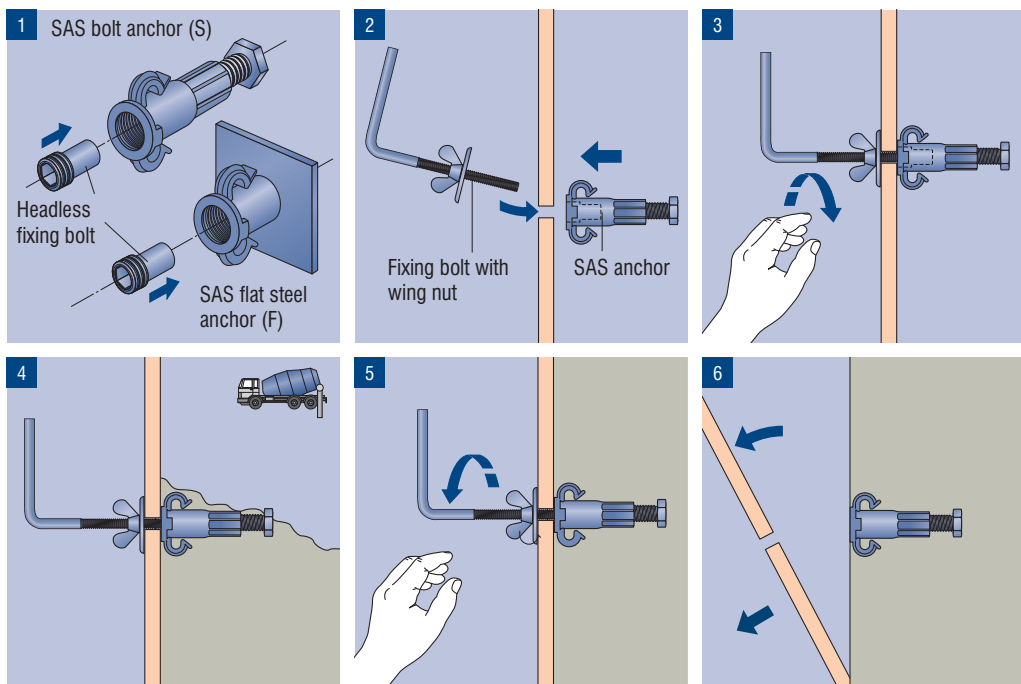


reinforcement bars



Installation

For safe attachment of the lifting anchor to the formwork, use the sleeve bolt and the fixing bolt. Making the wing nut hand-tight will avoid the anchor coming loose during concreting.



PFEIFER fixing screw

Reference no.	Thread size M	To fit fixing bolt
05.206.083	M 8	M 14/16
05.206.103	M 10	M 24/30

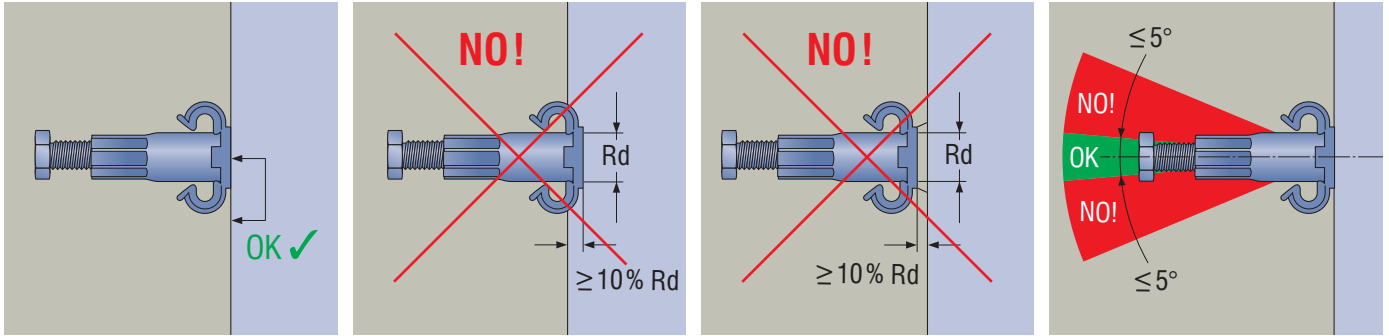
For weight and dimensions refer to the thread system data sheet p. 55.

PFEIFER fixing bolt

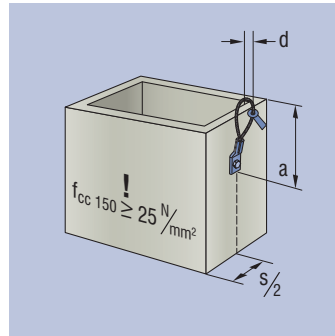
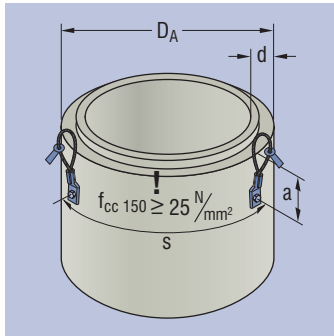
Reference no.	Thread size M	fits size
05.211.143	M 14	A
05.211.163	M 16	B
05.211.243	M 24	C
05.211.303	M 30	D

For weight and dimensions refer to the thread system data sheet p. 55.

Installation tolerances



Caution: Incorrect positions and faulty installation of the anchor can lead to early failure and falling down - danger of death! Attach the anchor flush and at right-angles.



Notice: The anchor must always be attached higher than the centre of gravity because otherwise the element can tip over during transport.

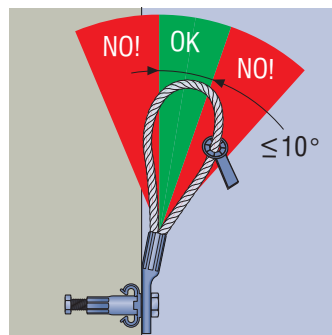
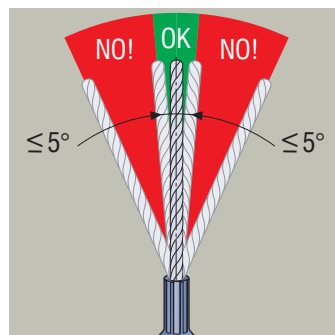
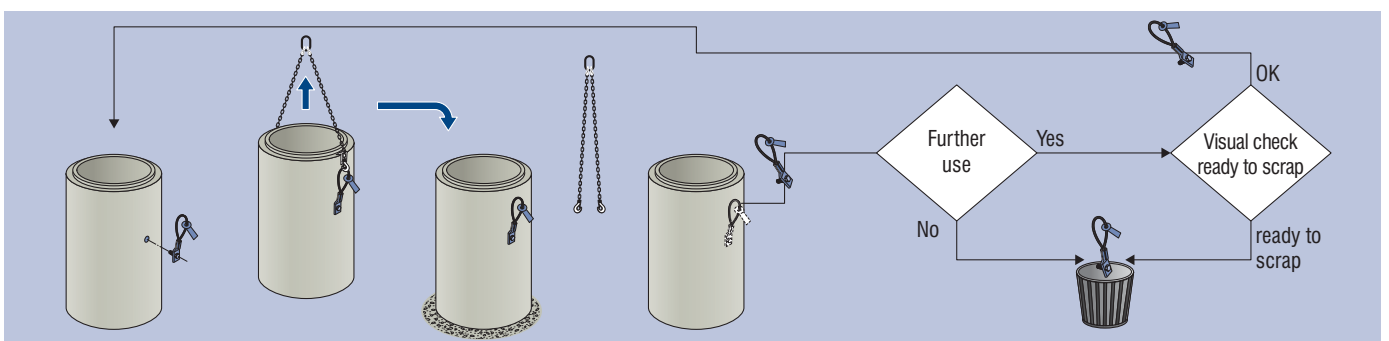
Table 3: Minimum dimensions

Type	Size	Minimum outer dia. D_A [mm]	Minimum wall thickness d [mm]	Minimum distance from edge a [mm]	Minimum intermediate distance s [mm]
Form S					
SAS	A	800	100	400	800
SAS	B	1000	120	500	1000
SAS	C	2000	150	700	1400
Form F					
SAS	A	800	90	400	1200
SAS	B	1000	90	500	1500
SAS	C	2500	100	600	1800
SAS	D	2000	150	1000	2000



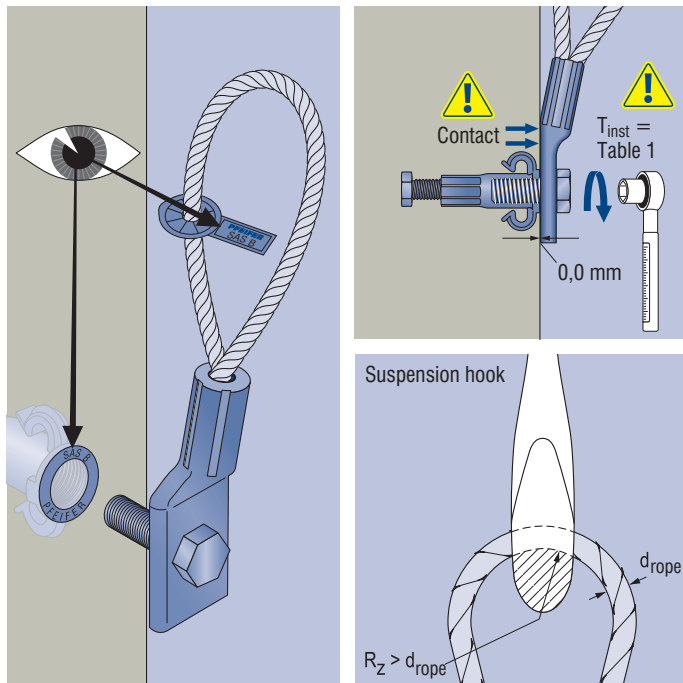
Notice: To achieve the stated load bearing capacity, comply with the minimum dimensions as in Table 3 and a concrete cube strength of at least 25 N/mm².

Use



Warning: Loading the lifting device beyond the permitted angle may lead to premature failure of the anchor. Risk of falling, danger to life. Apply loads only in the direction of the loop and parallel to the concrete surface.

Use

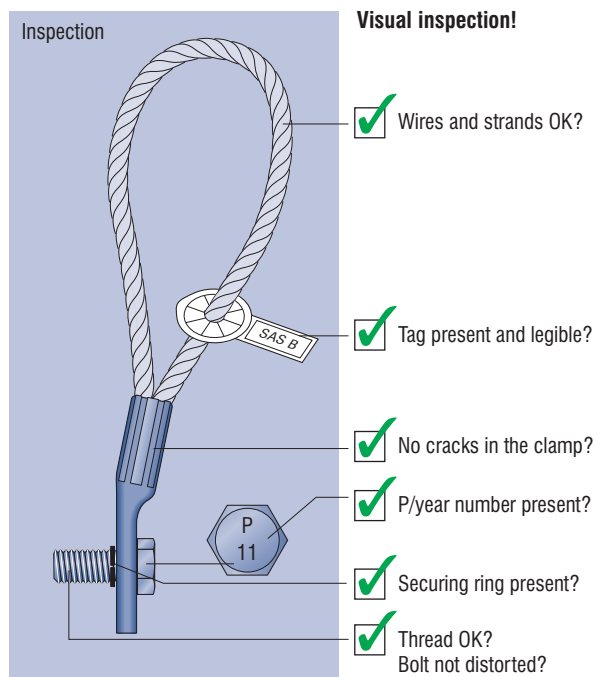


The lifting loop must be in contact with the concrete. Tighten the connecting bolt to the torque given in Table 1.

Warning: If the deflection radius of the hook is too small, the lifting device can fail even at the rated load. This is a hazard to life. Only attach hooks with a deflection radius at least as large as the cable diameter.

Check the system consistency by inspecting the data clip of the lifting anchor and the lifting capacity tag of the lifting loop.

Original inspection and discarding time



! The SAS lifting loops must be examined by an authorised expert according to the specified criteria (see illustration: 'Inspection') before using for the first time, at least once a year and after special occurrences. The parts must be metallurgically pure for this. Repairs are not permissible.

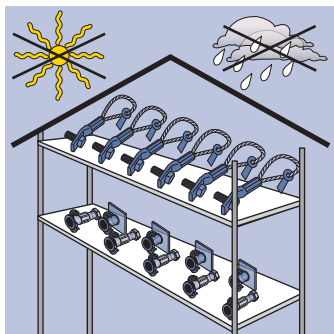
! **Notice:** In the case of repeated use, a visual inspection is necessary before each use.

PFEIFER SAS lifting loops may no longer be used if the following types of damage occur:

- Breakage of 4 wires over a rope length of 3x the rope diameter or an entire strand
- Crushing of the wire rope
- Deformation or damage to the rope or the tapped socket
- Heavy wear
- Corrosion pits
- Connection between wire rope and ferrule loosened or detached

Warning: Disassembly or exchanging parts of the system is not permissible. This can lead to the failure of the system – mortal danger! Use the lifting loop only in the as-new undamaged state.

Storage



! **Notice:** Store the SAS system components dry and protected. There is a risk of corrosion if there are large changes of temperature, wetness (humidity) or any influence from acids, road salt or sea water.

! **Caution:** If elements left outside for considerable periods of time, caps should be applied to the threaded socket to keep moisture out.

EC declaration of conformity according to the EC machinery directive 2006/42/EC, appendix II 1A

The manufacturer **PFEIFER SEIL- UND HEBETECHNIK GMBH**
DR.-KARL-LENZ-STRASSE 66
D-87700 MEMMINGEN

declares that the following lifting device according to article 2 d) with the product designation

PFEIFER SAS manhole lifting system
(PFEIFER SAS lifting anchor,
PFEIFER SAS lifting loop,
PFEIFER SAS data clip)

in the sizes: **A, B, C, D (Form F) and A, B, C (Form S)**

conforms to the regulations contained in the directives listed below on account of its design and construction
– EC machinery directive 2006/42/EC

Applied harmonised standards

– DIN EN ISO 14121-1:2007-12
Safety of machinery – Risk assessment – Part 1: General principles

Other applied standards or specifications

– BGR 106:1992-04 “Safety rules for anchors and systems for the lifting of precast concrete parts”, issued by the Association of German Employer’s Liability Insurance Carriers, “Construction” Technical Committee.

The person responsible for the creation and maintenance of the technical documentation is

– Herr Dipl.-Ing. Christoph Neef
Manager, Development Connecting and Lifting Systems, PFEIFER Seil- und Hebetchnik GmbH

PFEIFER Seil- und Hebetchnik GmbH
Memmingen, 01.08.2011

ppa. Dipl.-Ing. Matthias Kintscher
Manager, Business Area Connecting and Lifting Systems

i. V. Dipl.-Ing. Christoph Neef
Manager, Development Connecting and Lifting Systems

Enquiry

PFEIFER SEIL- UND HEBETECHNIK GMBH
 Geschäftsbereich BAUTECHNIK
 Postfach 1754 · D-87687 Memmingen

Fax
08331-937342

Building project

SENDER'S DETAILS

Company
Street
Town/Postcode
Contact name
Tel.
Email

PFEIFER SAS manhole lifting system

PFEIFER SAS manhole lifting system



Item	Quantity	Reference no.	Type	Size/form	Unit price in EUR	Total price per item in EUR

Please take into account the **packing units**.

This order is based on the General Terms of Sales and Delivery of the PFEIFER company, of which you are aware.

Total **EUR**
 plus packing and shipping costs

Delivery address _____
 (state only if _____
 different from the _____
 ordering address) _____

_____ Date and signature



Lifting Anchor Systems
Thread System



Lifting Anchor Systems
BS Anchor System



Lifting Anchor Systems
WK Anchor System



Fixing Systems
Waved Anchor DB 682
for Permanent Fixings



Fixing Systems
Socket Dowels
Polyamide Sockets



Fixing Systems
HK Assembly Anchor System



Connection Systems
Column Shoe System
Wall Shoe System



Connection Systems
Steel Bearing for TT-Beams
Staircase Bearings VarioSonic



Connection Systems
Sandwich Anchor System



Connection Systems
Concrete Earthing System BEB



Reinforcement Systems
VS®-Wire Rope Loop System



Reinforcement Systems
PH Reinforcement Continuity System



Cable Tension Members
Tension Rod System



Attachment Materials
(Wire Ropes, Chains, Textiles)



Lashing Systems



Grabs for Reinforcing Steel
Balancing Spreader Beams

This document is superseded when a new edition appears at www.pfeifer.de.

Headquarters

PFEIFER SEIL- UND
HEBETECHNIK GMBH
Dr.-Karl-Lenz-Strasse 66
D-87700 MEMMINGEN
Telefon +49 (0)8331-937-312
Telefax +49 (0)8331-937-342
E-Mail export-bt@pfeifer.de
Internet www.pfeifer.de

J&P Bautechnik Vertriebs-GmbH

in Germany

Nobelstraße 51-55
D-12057 BERLIN
Tel. 030-68283-02
Fax 030-68283-497
E-Mail info@jordahl.de
Internet www.jordahl.de

Am Güterbahnhof 20
D-79771 KLETTGAU
Tel. 07742-9215-20
Fax 07742-9215-90
E-Mail klettgau@jp-bautechnik.de
Internet www.h-bau.de

Fundlandstraße 29
D-45326 ESSEN
Tel. 0201-28966-0
Fax 0201-28966-20
E-Mail jp-essen@pfeifer.de

Hamburger Ring 1
D-01665 KLIPPHAUSEN/Dresden
Tel. 035204-215-11
Fax 035204-215-18
E-Mail jp-dresden@pfeifer.de

Markircher Straße 14
D-68229 MANNHEIM
Tel. 0621-4840340
Fax 0621-4840344
E-Mail jp-mannheim@pfeifer.de

Lechstraße 21
D-90451 NÜRNBERG
Tel. 0911-6427808
Fax 0911-6428472
E-Mail jp-nuernberg@pfeifer.de

in Denmark

JORDAHL & PFEIFER
BYGGTEKNIK A/S
Risgårdvej 66, Risgård
DK-9640 FARSØ
Tel. +45-9863-1900
Fax +45-9863-1939
E-Mail info@jordahl-pfeifer.dk

in France

H-BAU TECHNIK S. À R. L.
7, Rue des Vallières Sud
25.220 CHALEZEULE
Tel. +33 (0) 3.81.25.04.65
Fax +33 (0) 3.81.25.07.96
E-Mail info.chalezeule@h-bau.com

in Austria

GHL BAUTECHNIK PRODUKTIONS-
UND HANDELS GMBH
Caracallastraße 16
A-4470 ENNS
Tel. +43-7223-81919-0
Fax +43-7223-81919-33
E-Mail office@ghl-bau.at

in Spain

J&P TÉCNICAS DE ANCLAJE S.L.
Avda. de los Pirineos, 25 – Nave 20
San Sebastián de los Reyes
ES-28703 MADRID
Tel. +34-916593185
Fax +34-916593139
E-Mail jp@jp-anclajes.com
ES-08820 BARCELONA
Tel. +34-93-3741030
Fax +34-93-3741459

in Russia

000 PFEIFER
KANATI & PODJÖMNIJE TEHNOLOGII
RU-119017 MOSCOW
Pyzhevskiy pereulok,
h.5, bld.1, office 108
Tel. +7-495-363-01-27
Fax +7-495-363-01-28
E-Mail info@pfeiferrussia.ru

Our products are sold by



J&P: Your reliable Partner.

in Ukraine

JORDAHL & PFEIFER
TECHNIKA BUDOWLANA
ul. Pawlyka 17a
76-018 IVANO-FRANKIVSK
Tel. +38067442-85-78 (Eastern Region)
Tel. +38067442-85-79 (West Region)
E-Mail info@j-p.com.ua

in Hungary

PFEIFER GARANT KFT.
Gyömrői út 128
HU-1103 BUDAPEST
Tel. +36-1-2601014
Fax +36-1-2620927
E-Mail info@pfeifer-garant.hu

in Singapore

J&P BUILDING SYSTEMS PTE LTD.
No. 48 Toh Guan Road East
#08-104 Enterprise Hub
SG-SINGAPORE 608586
Tel. +65-6569-6131
Fax +65-6569-5286
E-Mail info@jnp.com.sg

in Brazil

PFEIFER CABOS DE AÇO E
SISTEMAS DE IÇAMENTO LTDA.
Rua da Regeneração, 465
21040-170 RIO DE JANEIRO
Tel. +55-21-2560-0673
E-Mail info@pfeifer-brasil.com

in the UAE

EMIRATES GERMAN BUILDING
MATERIALS TRADING (LLC)
Al Quasais Ind. Area 4
Beirut St.
UAE-DUBAI
Tel. +971-4-2676644
Fax +971-4-2676646
E-Mail gemirate@emirates.net.ae

in Switzerland

ISOFER AG
Industriequartier
CH-8934 KNONAU
Tel. +41-44-7685555
Fax +41-44-7685530
E-Mail info@pfeifer-isofer.ch

in the United Kingdom/Ireland

J&P BUILDING SYSTEMS LTD.
Unit 5 Thame Fort
Jane Morbey Road
GB-THAME, OXON OX9 3RR
Tel. +44-1844-215200
Fax +44-1844-263257
E-Mail enquiries@jandpbuildingsystems.com

in Czechia

JORDAHL & PFEIFER
STAVEBNÍ TECHNIKA S.R.O.
Bavorská 856/14
CZ-15500 PRAHA 5
Tel. +420-272700701
Fax +420-272703737
E-Mail info@jpcz.cz

in Romania

S.C. JORDAHL & PFEIFER
TEHNICA DE ANCORARE S.R.L.
Str. Malului Nr. 7, et.1
RO-550197 SIBIU JUD. SIBIU
Tel. +40 269 246 098
Fax +40 269 246 099
E-Mail info@jordahl-pfeifer.ro

in Poland

JORDAHL & PFEIFER
TECHNIKA BUDOWLANA SP. Z O.O.
ul. Wrocławska 68
PL-55-330 KREPIECE k/Wrocławia
Tel. +48-71-3968264
Fax +48-71-3968105
E-Mail biuro@j-p.pl